

IMI HEIMEIER  
 Made in Germany  
 S  
 1x  
 6853-40.500  
 0 240524906710  
 IMI Hydronic Engineering

IMI Hydronic Engineering

IMI Hydronic Engineering

IMI Hydronic Engineering

IMI Hydronic Engineering



IMI HEIMEIER



IMI HEIMEIER



IMI HEIMEIER



IMI HEIMEIER

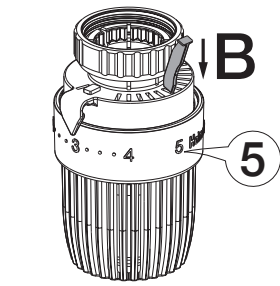
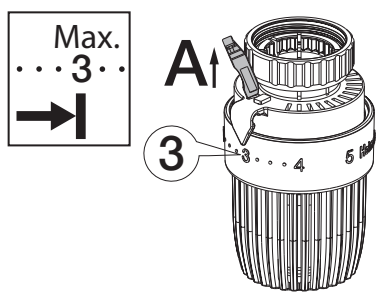
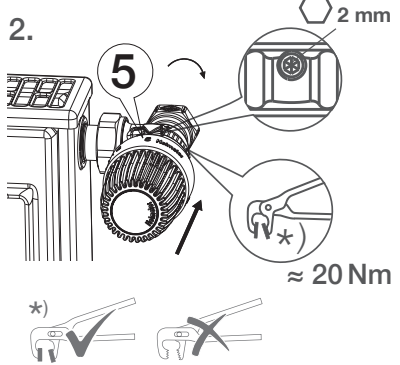
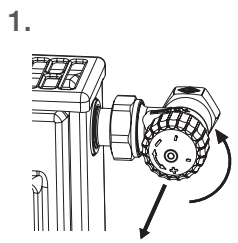
IMI Hydronic Engineering

imi-hydronic.com  
 Made in Germany

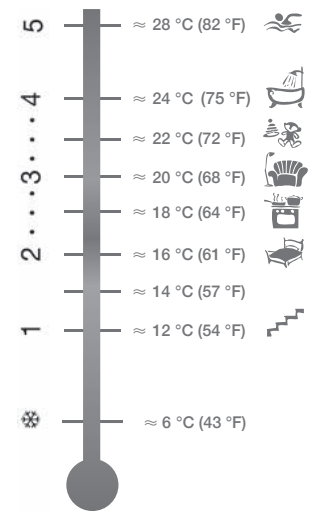
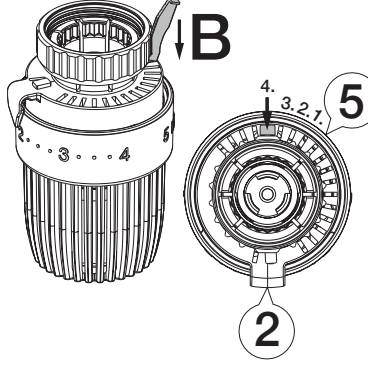
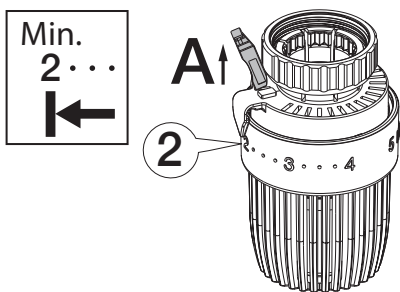
IMI HEIMEIER

6853-40.419 Index 02  
 11.15

imi-hydronic.com



IMI HEIMEIER



IMI HEIMEIER

